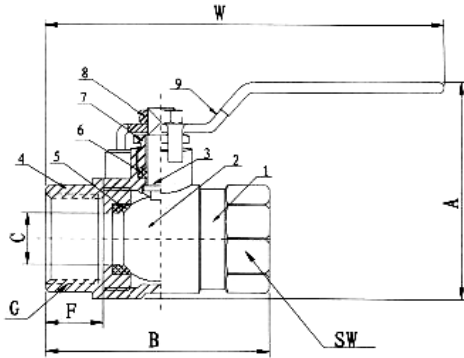


MUELLER FLOW CONTROL BRASS BALL VALVE

Model: BV-600-B

600-POUND BRASS BALL VALVES

Full bore, 2-Piece Body, blowout-proof stem, screwed ends.



Model BV-600-B

BV-600-B	WORKING PRESSURE -NON-SHOCK		
	Steam		Cold Water, Oil, Gas
	Psig	150	600
	Bar	10.3	41.4

BV-600-B	TEST PRESSURE		
	Shell (Water)		Seat (Air)
	900	80	600
	62.1	5.5	41.4

NO.	PART NAME	MATERIAL
1	BODY	BRASS
2	BALL	BRASS
3	STEM	BRASS
4	BONNET	BRASS
5	SEAT	PTFE
6	PACKING	PTFE
7	CAP	BRASS
8	NUT	STELL
9	HANDLE	STELL

Note: End threads conform to the American or British standard pipe threads.

Dimensions									(mm)
Mark	Size	1/4"	3/8"	1/2"	3/4"	1"	1-1/4"	1-1/2"	2"
A		35	50	56	64	74	85	95	108
B		41	45	50	54	62	75	81	91
C		7	11	12	17	21	25	29	38
F		10	10	13	14	14	15	16	17
W		70	100	110	119	139	170	180	190
SW		18	22	25	31	39	46	54	66
Weight									
g		80	130	160	230	335	570	815	1225



Mueller Flow Controls

1 Carolina Ave, PO Box 1568, Lumberton, North Carolina 28359 Tel: 910-671-1887, Fax: 910-671-1732

® Registered Trade Mark