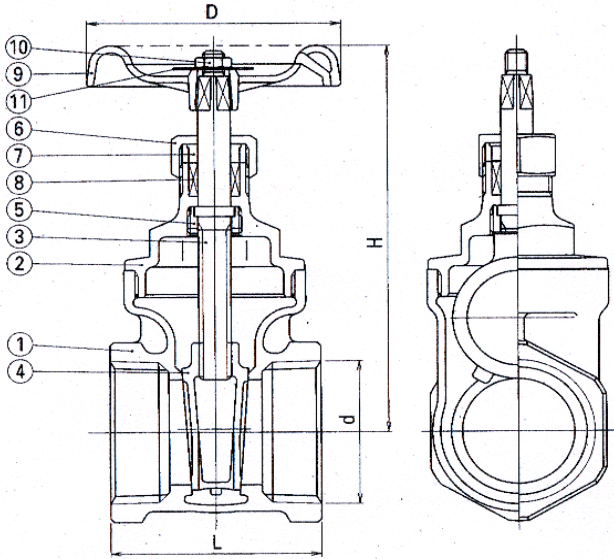


MUELLER FLOW CONTROL BRONZE GATE VALVE SCREWED END

Model: 0150-SB



SPECIFICATION

- ◆ Non-rising stem
- ◆ Screwed in-bonnet
- ◆ Solid Wedge Disc
- ◆ Screwed ends.

Technical Features

Nominal Pressure	: 300 PSI WOG
Max. Working Temperature	: 150 °C
Thread	: NPT



Model: 0150-SB

Materials

No.	Name of Parts	ASTM Specifications	
1	Body	Bronze	ASTM-B62
2	Bonnet	Bronze	ASTM-B62
3	Stem	Brass	B124-C37700
4	Disc	Bronze	ASTM-B62
5	Lock nut	Brass	B124-C37700
6	Packing nut	Brass	B124-C37700
7	Gland	Brass	B124-C37700
8	Gland packing	PTFE	
9	Hand wheel	Aluminum	B85-SC114A
10	Wheel nut	Brass	B124-C37700
11	Name plate	Aluminum plate	B209-1100

Dimension

Size	L (mm)	H (mm)	D (mm)
1/2"	43	78	55
3/4"	49	92	63
1"	54	103	63
1-1/4"	62	116	70
1-1/2"	65	133	80
2"	75	156	90
2-1/2"	87	190	110



Mueller Flow Control

® Registered Trade Mark